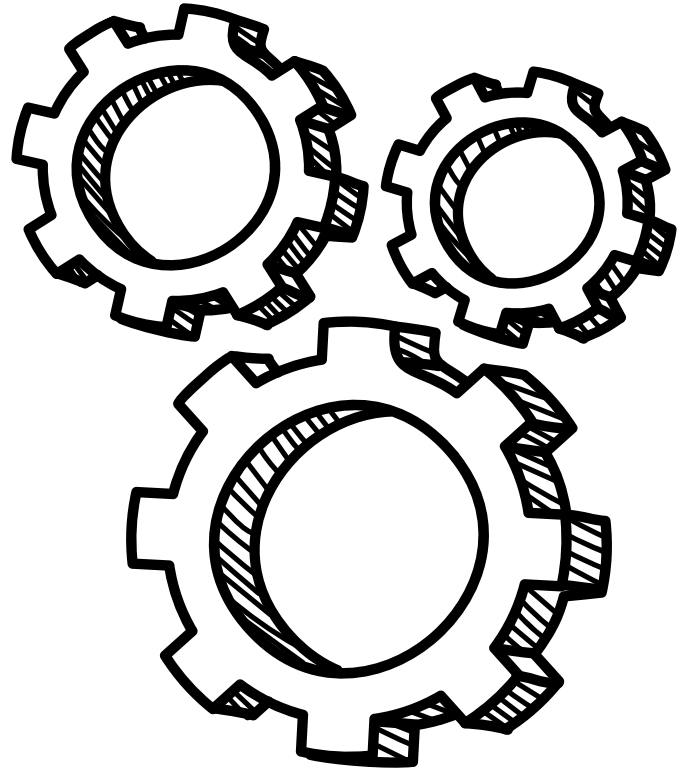


ELITE 4 WRAP VAN **COMBO BRUSH**

OPERATOR & PARTS MANUAL

© American Car Wash Solutions – NY. Confidential. Do not copy or distribute.
Content and pricing subject to change.

TABLE OF CONTENTS



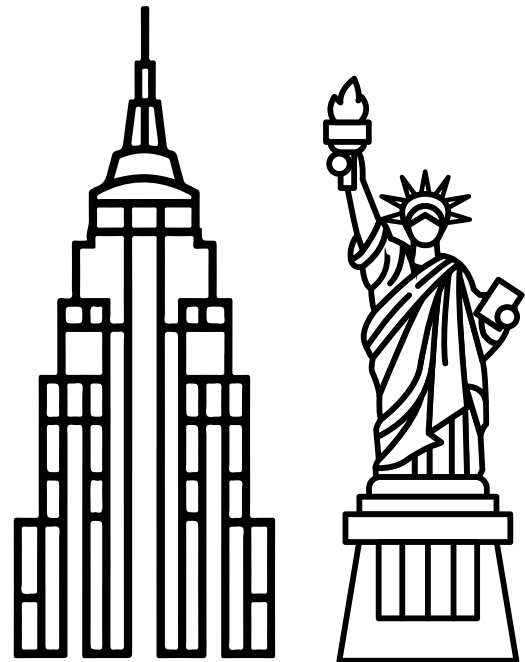
03 **EQUIPMENT INTRODUCTION**
Introduction to the Elite 4 Wrap Van Combo.

04 **PRODUCT SPECIFICATIONS**
Equipment dimensions & specs.

05 **REPLACEMENT PARTS**
Identify, figure, and order replacement parts.

10 **SAFETY MANUAL (MUST READ)**
Understand the safety measures needed when installing and operating any equipment from ACWS.

13 **EQUIPMENT WARRANTY**
Understand the American Standard.



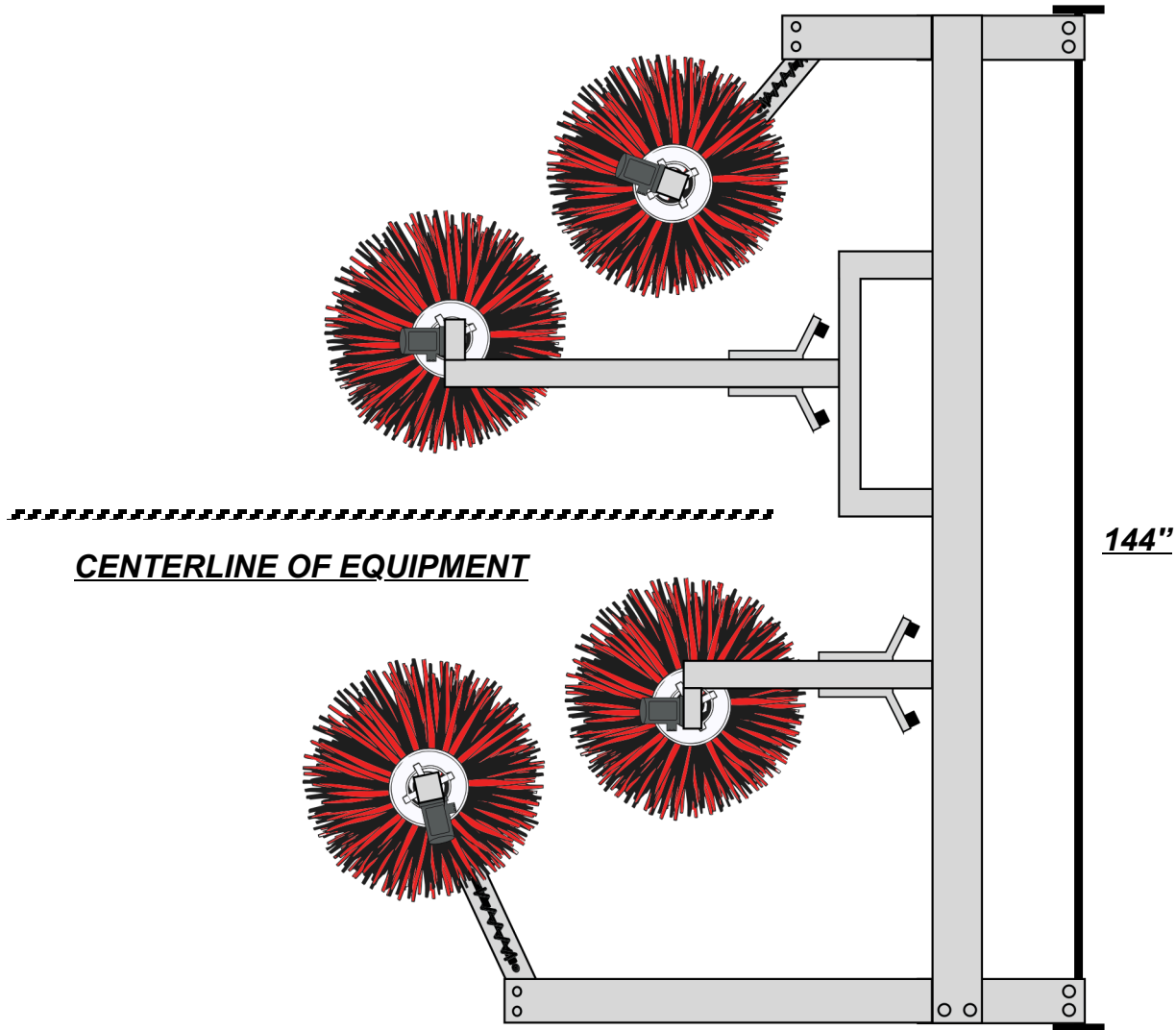


The **Elite 4 Wrap Van Combo Brush** from **American Car Wash Solutions** is a stainless steel 4-brush system designed for complete vehicle coverage across all profiles. Featuring lower cloth rockers and upper foam van high wraps, it follows the shape of each vehicle to deliver a smooth, consistent clean from bottom to top. Built for durability, reliable performance, and easy maintenance, and proudly manufactured in the United States of America.

Proudly manufactured in the **United States of America.**

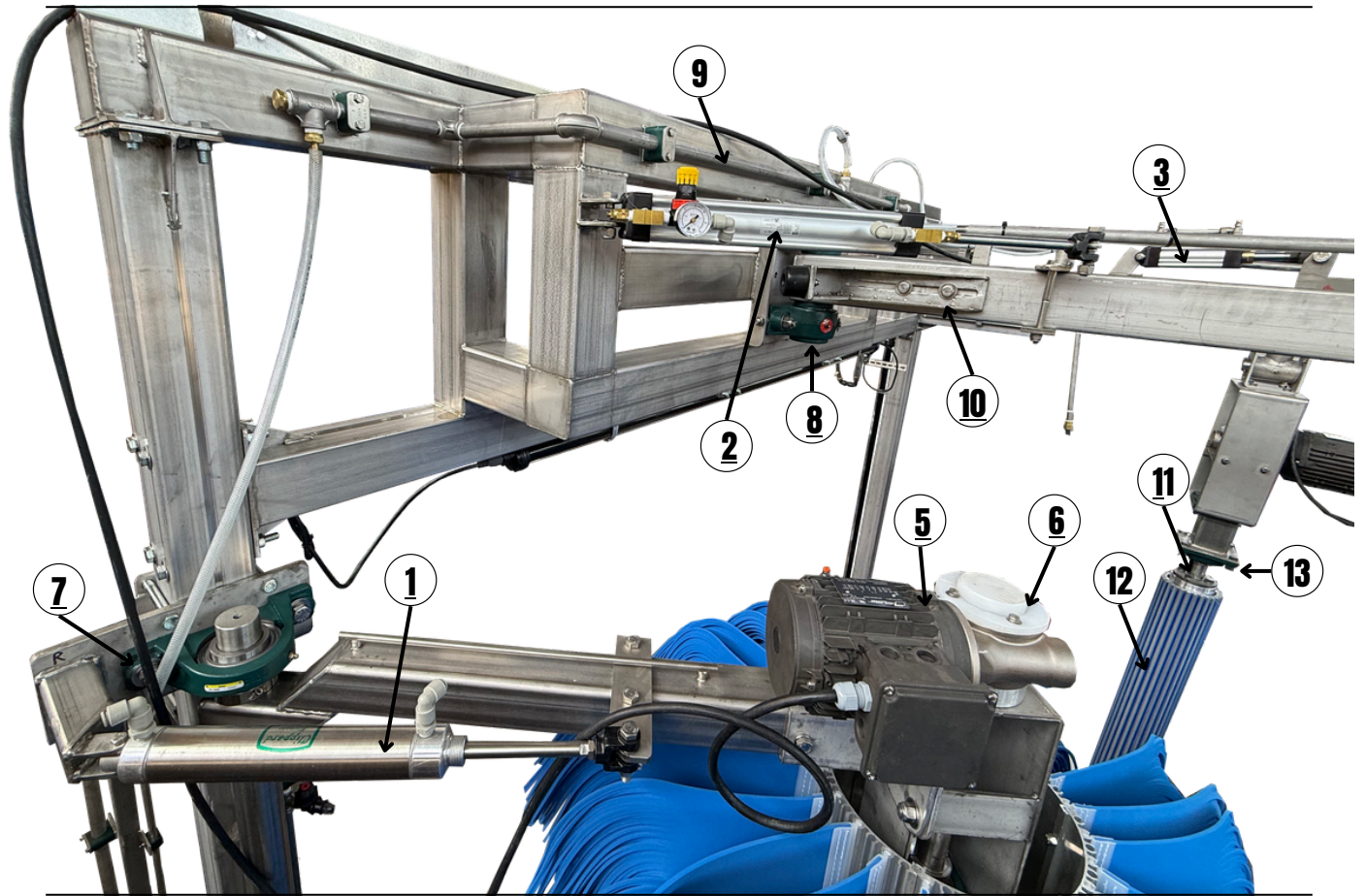
DIMENSIONS AND CENTERLINE

260"



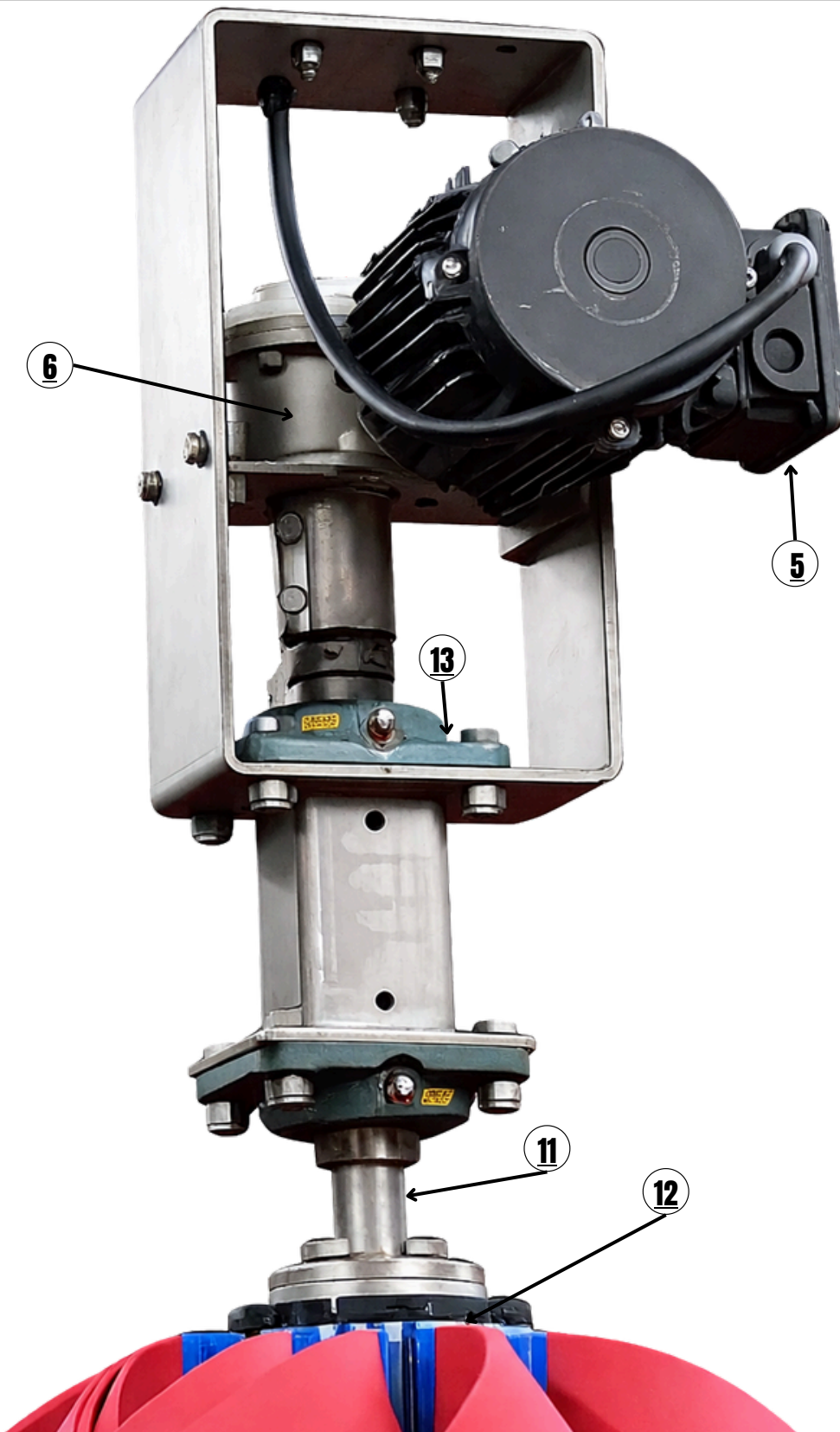
ELITE 4 WRAP VAN COMBO MASTER LIST OF PARTS

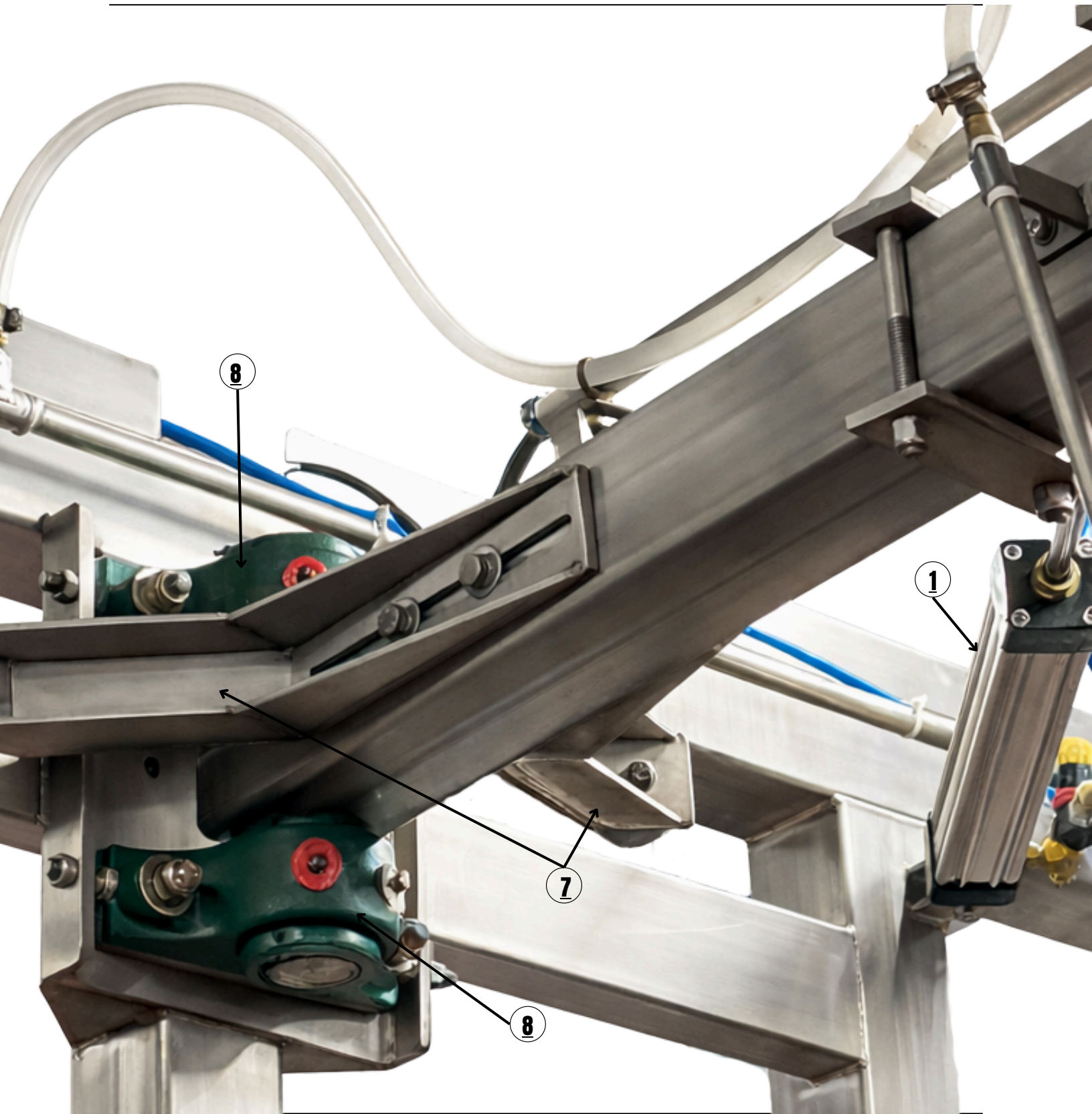
ID	PART NUMBER	PART DESCRIPTION	QTY
1	ACWS-CYL-2X13	Air Cylinder, 2-in x 13-in	1
2	ACWS-CYL-2X24-4MA	Air Cylinder, 2-in x 24-in, 4MA Series	2
3	ACWS-CYL-2X4	Air Cylinder, 2-in x 4-in, 4MA Series	2
4	ACWS-SHOCK-BLK	Shock, Black, used on Van High and Rockers	2
5	ACWS-MOTOR-EL-2HP	Motor, Electric, 2HP, used with Gearbox	4
6	ACWS-GBX-2HP-EL	Gearbox for 2HP Motors, used on Wrap	4
7	ACWS-BRG-PILLOW-2B-114	Pillow Bearing, 1-1/4-in	4
8	ACWS-BRG-PILLOW-2B-HD	Pillow Block Bearing, 2-in, Heavy Duty	4
9	ACWS-GAUGE-ARO	Pressure Gauge, ARO, 0-160 PSI, 1/8-in NPT	2
10	ACWS-ANGBUMP-WRAPARM	Single Angle Bumper for Wraps, Stabilizer Bumper	4
11	ACWS-SHFT-FLNG-6	Shaft Flange for Wrap Core Mount	2
12	ACWS-CORE-ALUM-6FLG	Aluminum Core, 87-in, Used on Wraps	2
13	ACWS-BRG-4B-112	Flat Bearing, 4-Bolt, 1-1/2-in Bore	4
14	ACWS-CORE-ALUM-24-12FLG	Aluminum Core, 24-in, Bottom Portion of Van Combo	2
15	ACWS-CORE-ALUM-35-12FLG	Aluminum Core, 35-in, Top Portion of Van Combo	2
16	ACWS-FOAM-VH-TOPSET	Replacement Foam for Top Only, Van High	2
17	ACWS-CLOTH-VH-BOTTOM	Replacement Cloth for Bottom Only, Van High	2
18	ACWS-SHFT-ARM-VHS	Steel Shaft for Van High Side Brushes, Support Shaft	2

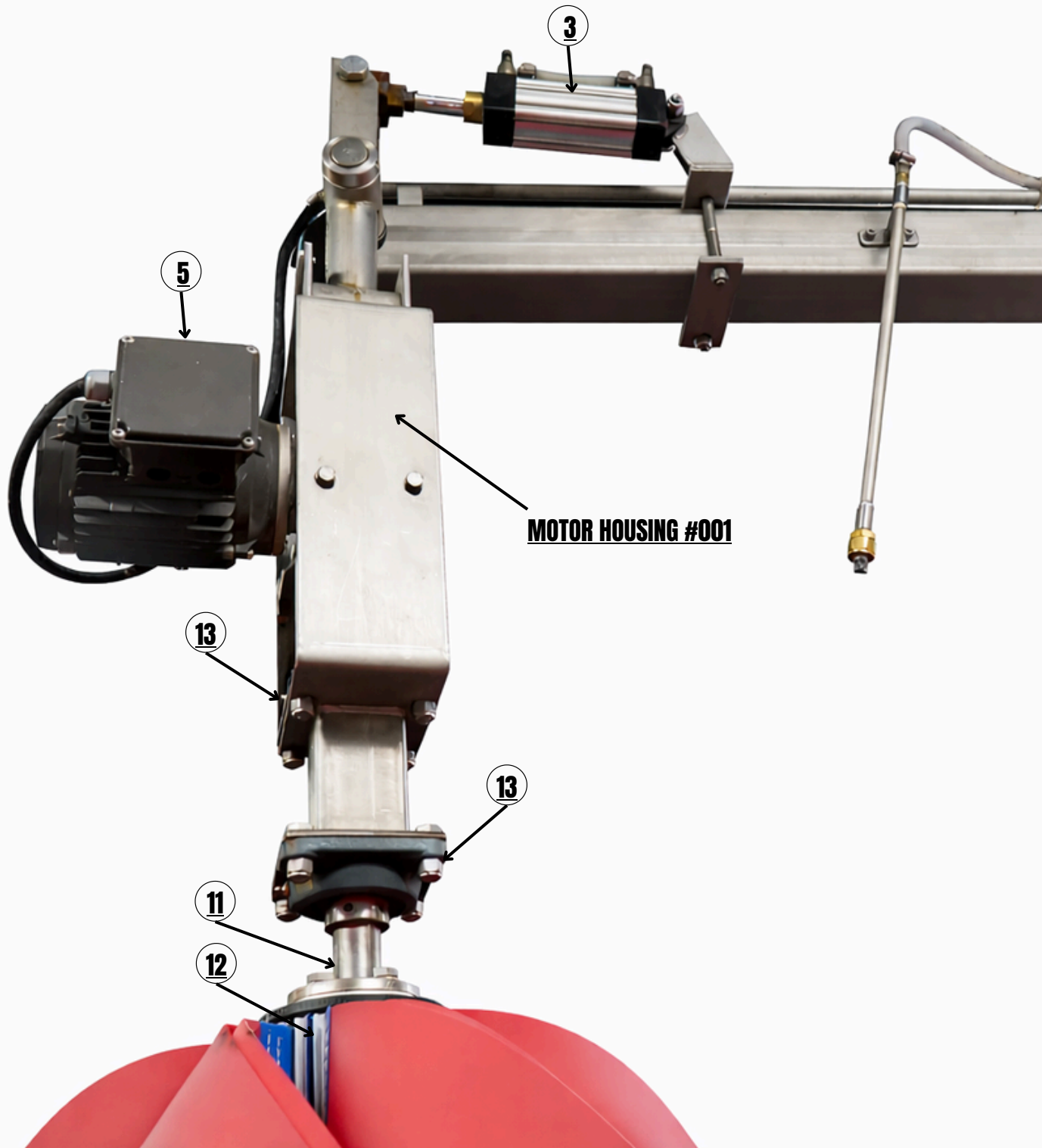


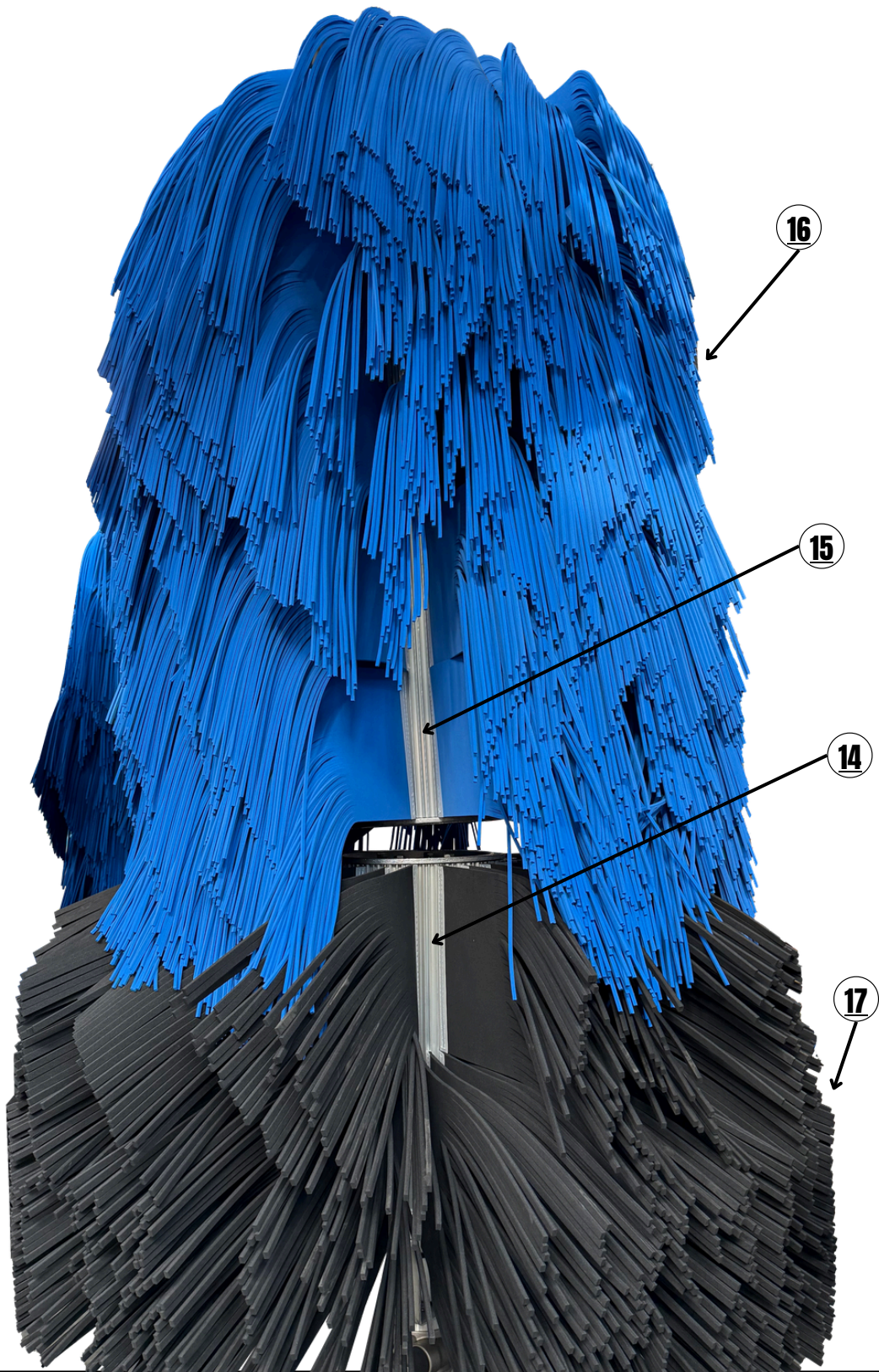
ID	PART NUMBER	PRODUCT DISPLAY NAME	QTY
1	ACWS-CYL-2X13	Air Cylinder, 2-in x 13-in	1
2	ACWS-CYL-2X24-4MA	Air Cylinder, 2-in x 24-in, 4MA Series	2
3	ACWS-CYL-2X4	Air Cylinder, 2-in x 4-in, 4MA Series	2
5	ACWS-MOTOR-EL-2HP	Motor, Electric, 2HP, used with Gearbox	4
6	ACWS-GBX-2HP-EL	Gearbox for 2HP Motors, used on Wrap	4
7	ACWS-BRG-PILLOW-2B-114	Pillow Bearing, 1-1/4-in	4
8	ACWS-BRG-PILLOW-2B-HD	Pillow Block Bearing, 2-in, Heavy Duty	4



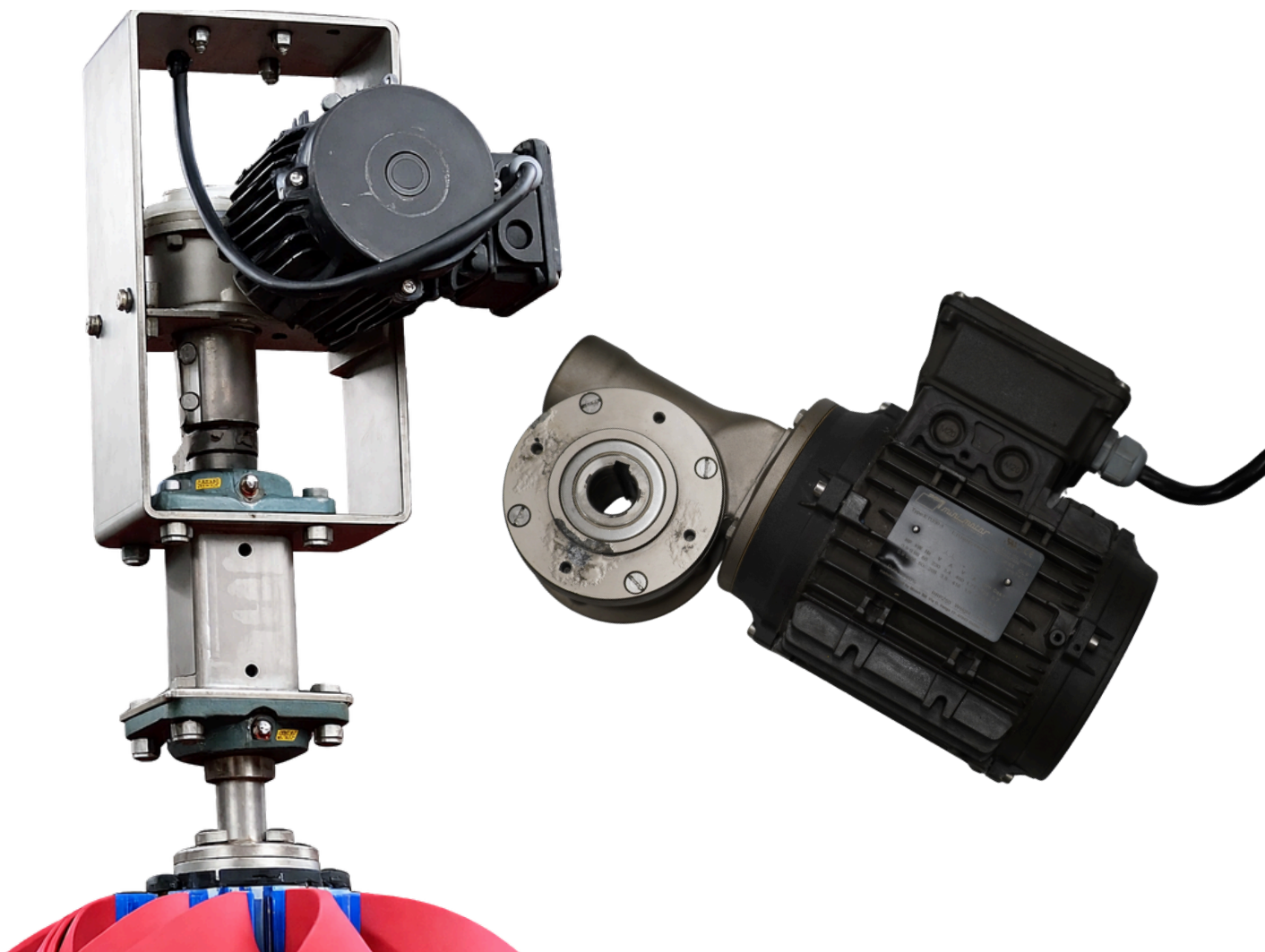










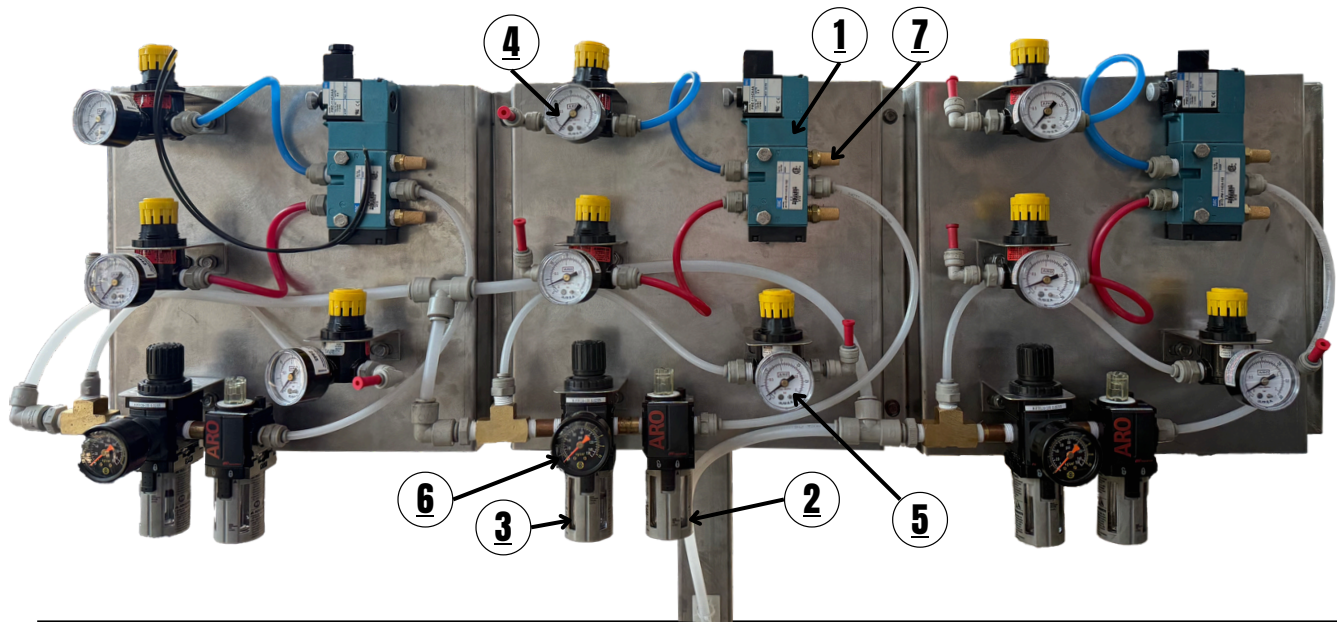


ID	PART NUMBER	PRODUCT DISPLAY NAME	QTY
5	ACWS-MOTOR-EL-2HP	Motor, Electric, 2HP, used with Gearbox	4
6	ACWS-GBX-2HP-EL	Gearbox for 2HP Motors, used on Wrap	4

American’s **Mini Electric Motor** is a high-performance, 550W (0.55kW) three-phase worm geared motor with a 38mm center distance. Featuring a 30:1 reduction ratio, it provides a 35 Nm rated torque, IP65 protection, specifically designed for the car wash industry.

AMERICAN CAR WASH SOLUTIONS

AIR DELIVERY



ID	PART NUMBER	PART DESCRIPTION	QTY
1	ACWS-SOL-VALVE-MAC2060	Solenoid Valve, MAC2060, 3-Way	1
2	ACWS-REG-AIR-LUB-12	Air Regulator, Lubricator, 1/2-in	1
3	ACWS-REG-14R113FC	Air Regulator, No Gauge, 1/4-in	3
4	ACWS-REG-ARO-R37121	ARO Regulator, No Gauge	1
5	ACWS-GAUGE-030PSI	Pressure Gauge, 0-30 PSI, 1/4-in	3
6	ACWS-GAUGE-ARO	Pressure Gauge, ARO, 0-160 PSI, 1/8-in NPT	1
7	ACWS-MUFFLER-14	Muffler, 1/4-in NPT (BM-14 / P-28)	2

ATTENTION

BEFORE INSTALLING AMERICAN CAR WASH EQUIPMENT YOU MUST READ THE SAFETY MANUAL AT THE BACK OF THIS BOOK.

THE FOLLOWING PERSONAL PROTECTIVE EQUIPMENT (PPE) IS REQUIRED DURING INSTALLATION OF ALL AMERICAN EQUIPMENT. ALL INSTALLERS MUST COMPLY WITH THIS MINIMUM PPE REQUIREMENT BEFORE WORK BEGINS.

REQUIRED PPE

- **HARD HAT**
- **SAFETY GLASSES WITH SIDE SHIELDS**
- **WORK GLOVES**
- **CUT- AND ABRASION-RESISTANT GLOVES RECOMMENDED FOR HANDLING STEEL COMPONENTS, HARDWARE, AND TOOLS.**
- **STEEL-TOE OR COMPOSITE-TOE FOOTWEAR REQUIRED.**
- **HIGH-VISIBILITY VEST OR SHIRT**

SAFETY REQUIREMENTS

CAR WASH EQUIPMENT CONTAINS MOVING COMPONENTS, ELECTRICAL POWER, AND PRESSURIZED SYSTEMS THAT CAN CAUSE SERIOUS INJURY, PERMANENT DISABILITY, OR DEATH IF HANDLED IMPROPERLY. STRICT ADHERENCE TO THESE SAFETY RULES IS MANDATORY.

Personnel Responsibility & Authorization

- Equipment operation, inspection, and service are restricted to trained and approved personnel only.
- Management is responsible for ensuring all employees understand and comply with these safety requirements.
- This manual must be reviewed periodically and made available to all applicable staff.

Operating Area Restrictions

- Entry into the wash tunnel or equipment zone while machinery is energized or moving is strictly prohibited.
- No person may enter any operational area unless all motion and power sources have been fully disabled.

Personal Safety & Attire

- Secure all clothing and remove jewelry before working near equipment.
- Never allow hands, limbs, tools, hoses, ladders, or other objects near rotating or moving components.
- Failure to maintain clearance from moving parts may result in entanglement or fatal injury.

Maintenance & Service Protocol

- Repairs, inspections, and preventative maintenance may only be performed by designated personnel.
- At least two qualified individuals must be present during any service activity.
- Never perform service work while equipment is energized or in motion.

Energy Isolation (Lockout Procedures)

- All power sources must be fully isolated prior to servicing equipment.
- Electrical disconnects must be lockable and secured in the OFF position.
- Only the individual who applied the lockout device is permitted to remove it and restore power.

Elevated Work

- When accessing equipment above shoulder height, use only approved non-conductive ladders in safe condition.
- Never climb on equipment, framing, or structural components not designed for access.

Pressurized Components

- Hoses, fittings, valves, and lines carrying air, water, or hydraulic pressure must never be adjusted or disconnected while pressurized.
- Relieve all stored energy before performing any work.

Electrical Safety

- Electrical installation, troubleshooting, and repairs must be completed exclusively by licensed electrical professionals.
- Unauthorized electrical work is strictly prohibited.

Emergency Shutdown Systems

- Emergency stop devices must be clearly identified and accessible.
- All personnel must be trained on their locations and use.
- After an emergency stop:
 - Clear all personnel and objects from the equipment area
 - Inspect for unsafe conditions
 - Restart only after confirming safe operation and proper warning signals

Equipment Condition & Safeguards

- Never operate equipment with missing, damaged, or improperly installed guards or covers.
- Do not operate equipment showing signs of abnormal operation, damage, or malfunction.

Final Safety Statement

- Improper use, unauthorized modification, or failure to follow these safety requirements can result in severe injury, death, or property damage.
- American Car Wash Solutions is not responsible for incidents resulting from non-compliance with these instructions.

FINAL SAFETY STATEMENT

Improper use, unauthorized modification, or failure to follow these safety requirements can result in severe injury, death, or property damage.

American Car Wash Solutions is not responsible for incidents resulting from non-compliance with these instructions.

American Car Wash Solutions – Warranty & Claims Guide

1. Warranty Summary

American Car Wash Solutions (“ACWS”) warrants their equipment to be free from defects in materials and workmanship for a period of one (1) year from the date of purchase or installation (as determined by distributor terms). This limited warranty applies only to products used under normal operating conditions.

2. What Is Covered

Under this warranty, ACWS will, at its option:

- Repair or replace defective components
- Provide replacement parts of equal or comparable quality

Coverage applies only to defects in materials or workmanship and only when the product has been properly installed, maintained, and used in accordance with ACWS instructions.

3. What Is Not Covered

This warranty does not cover:

- Normal wear and tear (brush wear, foam degradation, consumable materials)
- Damage from misuse, abuse, negligence, alteration, accident, or improper installation
- Damage from chemicals or environmental exposure
- Labor, freight, removal, or re-installation costs unless specified
- Consequential or incidental damages

4. Warranty Claim Instructions

To initiate a warranty claim, follow these steps to ensure quick review and processing:

Step 1: Collect Information

Before contacting the warranty department, gather:

- Purchase invoice or order number
- Installation date and installation company (if applicable)
- Model and serial numbers (if applicable)
- Detailed description of the issue
- Photos or video clearly showing the defect

Step 2: Contact the Warranty Department

Call the ACWS Warranty Department at: 914-465-5024

Please have all information ready when calling. The warranty team will advise next steps, which may include documentation submission or an inspection.

Step 3: Submit Supporting Documentation

After initial contact, you may be asked to email or upload:

- Photos/videos of the issue
- Copies of original purchase documentation
- Installation records

Your prompt submission helps expedite claim review.

Step 4: Review and Resolution

Once documentation is submitted:

- ACWS will review the claim
- If approved, ACWS will authorize repair or replacement
- Replacement parts may be shipped upon approval

If a claim is denied, you will receive an explanation and any applicable next steps.

5. Important Terms

- Warranty claims must be initiated within the 1-year warranty period
- Warranty coverage begins on the date of purchase or installation, per distributor agreement
- Warranty is non-transferable unless specifically transferred under ACWS policy
- ACWS reserves the right to determine whether a defect is covered under warranty.