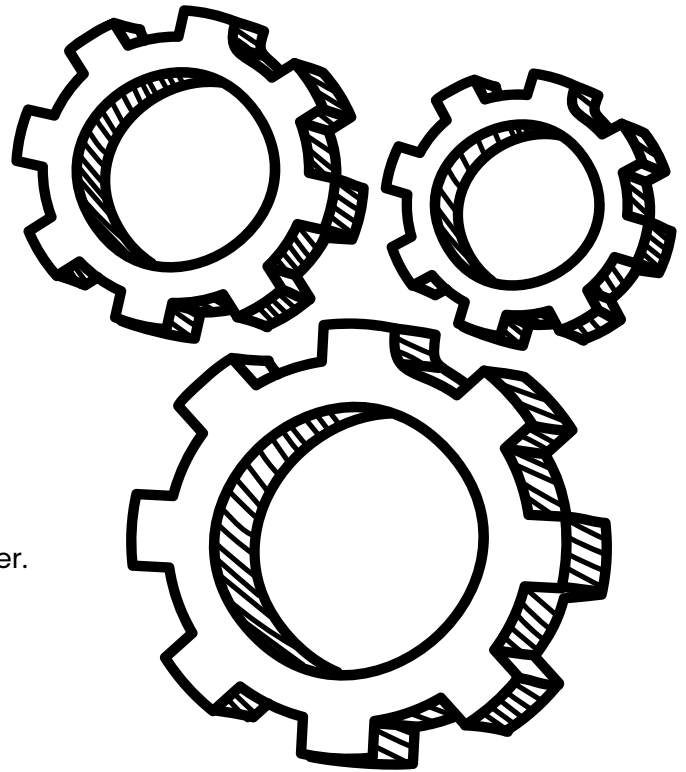


# SIDE-TO-SIDE MITTER

OPERATOR & PARTS MANUAL

# TABLE OF CONTENTS



**03**      **EQUIPMENT INTRODUCTION**  
Introduction to the Side-to-Side Mitter.

**04**      **PRODUCT SPECIFICATIONS**  
Equipment dimensions & specs.

**05**      **REPLACEMENT PARTS**  
Identify, figure, and order replacement parts.

**10**      **SAFETY MANUAL (MUST READ)**  
Understand the safety measures needed when installing and operating any equipment from ACWS.

**13**      **EQUIPMENT WARRANTY**  
Understand the American Standard.

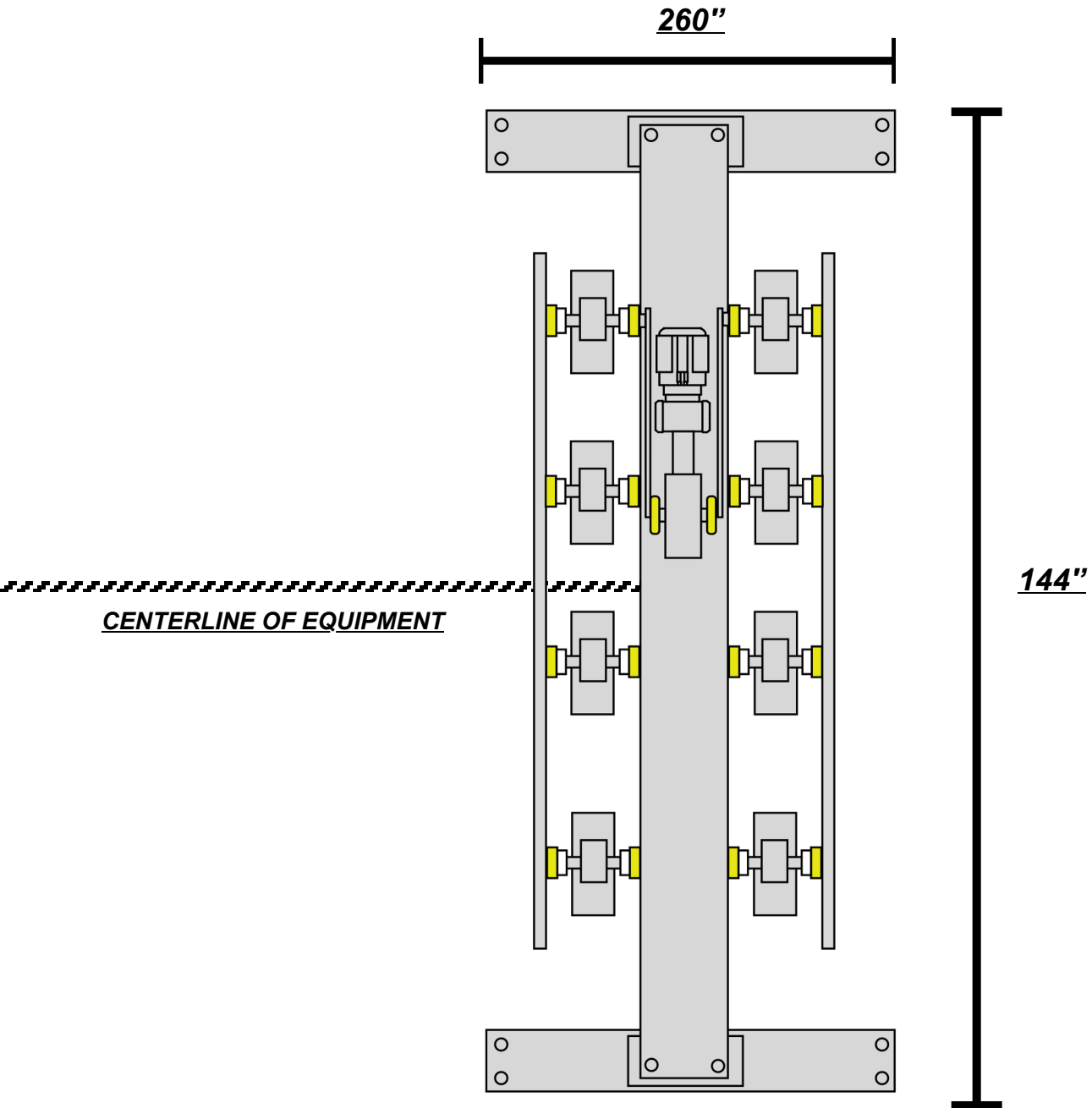




The **Side-to-Side Mitter** from **American Car Wash Solutions** is built from heavy-duty stainless steel for long-lasting durability and corrosion resistance. Featuring a traditional side-to-side design, it delivers smooth, consistent motion for full front and rear vehicle coverage. Designed for reliability and ease of maintenance, it is a proven, no-nonsense solution for high-volume wash applications.

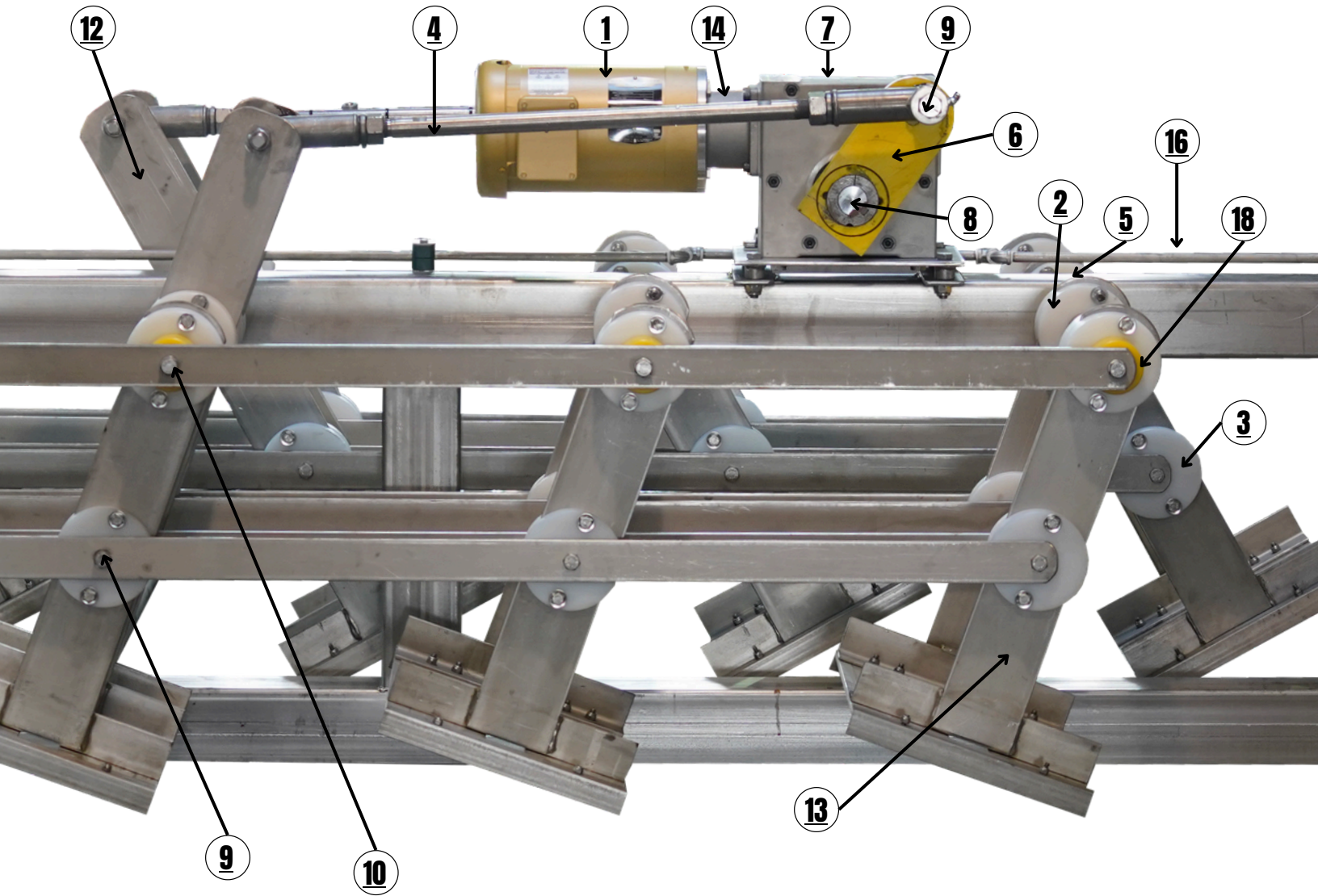
Proudly manufactured in the **United States of America.**

# DIMENSIONS AND CENTERLINE

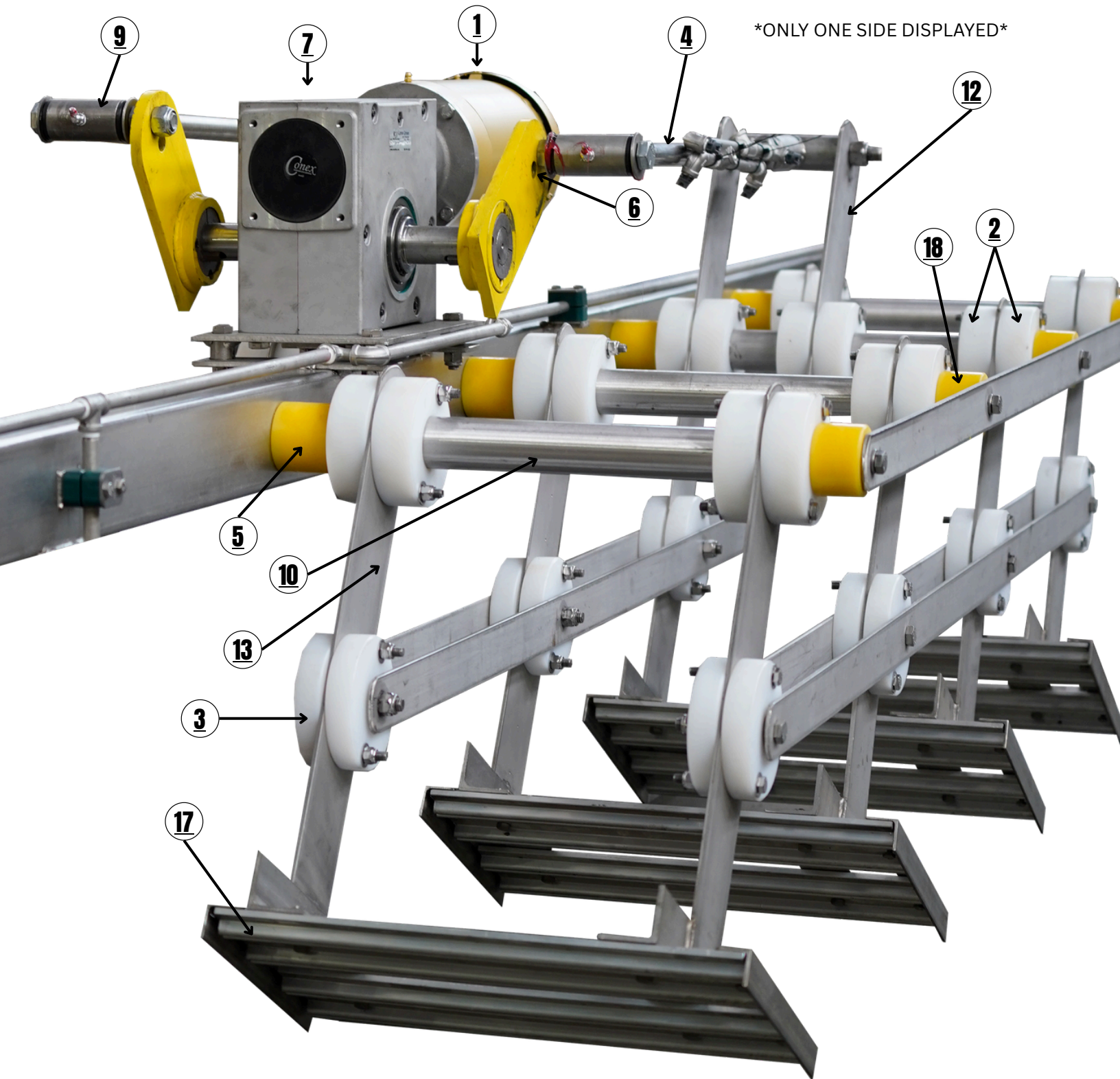


# SIDE-TO-SIDE MITTER MASTER LIST OF PARTS

ID	PART NUMBER	PART DESCRIPTION	QTY
1	ACWS-MOTOR-EL-3558T	Electric Motor, 2 HP, Used on Mitters	1
2	ACWS-BRG-MITT-W-4-112-1	White UHMW Bearing, 4-in x 1-1/2-in x 1-in, for Mitter	32
3	ACWS-BRG-MITT-W-4-1/2-1-1	White UHMW Bearing, 4-1/2-in x 1-in x 1-in, for Mitter	36
4	ACWS-BAR-CROSS-1-12-46	Cross Bar, Drive Shaft, 1-1/2 x 46-in, Mitter Basket	2
5	ACWS-UHMW-2X6X1-YEL	UHMW Spacer, 2-in x 1-in, Yellow, Mitter Machine	8
6	ACWS-W-ARM-GRBX-TPLK	Wing Arm, Gearbox, Yellow, Pitman, with Taperlock	2
7	ACWS-GRBX-40-1	Gearbox Transmission, 40:1, Stainless Steel	1
8	ACWS-SHFT-GBX-112	Shaft and Coupler for Gearbox	1
9	ACWS-SHFT-WA-GRBX-MITT	Shaft Tee Connector, Wing Arm to Gearbox	2
10	ACWS-SHFT-35X1-MITT	Steel Shaft, 1-in x 35-in, for Mitter Arms (Support Pins)	4
11	ACWS-SHFT-9X1-MITT	Steel Shaft, 1-in x 9-in, for Mitter Arms (Support Pins)	8
12	ACWS-MITT-T-ARM-LG	Mitter Arm, Stainless Steel, Curtain Tee, Large	4
13	ACWS-MITT-T-ARM-SM	Mitter Arm, Stainless Steel, Curtain Tee, Small	12
14	ACWS-GRBX-MOTOR-R-301	Gear Reducer for Motor and Gearbox, Mitters	1
15	ACWS-MITT-CLOTH-KIT	Cloth Kit for Side-To-Side Mitter, Specify Color	1
16	ACWS-PIPE-SS-112X74-MITT	Stainless Steel Pipe, 1-1/2-in x 74-in, Mitters	2
17	ACWS-MITT-EXTR-18	Aluminum Extrusion, 18-in, Mitter Cloth	8
18	ACWS-CAP-PLASTIC-234-MITT	Plastic End Cap, Yellow, for Mitter Support Rod	8



**DON'T SEE YOUR PART?**  
WE'RE UPDATING MANUALS AND ADDING NEW PARTS DAILY - TRY TO USE OUR LIVE LINKS!  
STILL DON'T SEE IT? GIVE US A CALL AT (914) 465-5024



\*ONLY ONE SIDE DISPLAYED\*



# ATTENTION

**BEFORE INSTALLING AMERICAN CAR WASH EQUIPMENT YOU MUST READ THE SAFETY MANUAL AT THE BACK OF THIS BOOK.**

**THE FOLLOWING PERSONAL PROTECTIVE EQUIPMENT (PPE) IS REQUIRED DURING INSTALLATION OF ALL AMERICAN EQUIPMENT. ALL INSTALLERS MUST COMPLY WITH THIS MINIMUM PPE REQUIREMENT BEFORE WORK BEGINS.**

# REQUIRED PPE

- **HARD HAT**
- **SAFETY GLASSES WITH SIDE SHIELDS**
- **WORK GLOVES**
- **CUT- AND ABRASION-RESISTANT GLOVES RECOMMENDED FOR HANDLING STEEL COMPONENTS, HARDWARE, AND TOOLS.**
- **STEEL-TOE OR COMPOSITE-TOE FOOTWEAR REQUIRED.**
- **HIGH-VISIBILITY VEST OR SHIRT**

# SAFETY REQUIREMENTS

**CAR WASH EQUIPMENT CONTAINS MOVING COMPONENTS, ELECTRICAL POWER, AND PRESSURIZED SYSTEMS THAT CAN CAUSE SERIOUS INJURY, PERMANENT DISABILITY, OR DEATH IF HANDLED IMPROPERLY. STRICT ADHERENCE TO THESE SAFETY RULES IS MANDATORY.**

## **Personnel Responsibility & Authorization**

- Equipment operation, inspection, and service are restricted to trained and approved personnel only.
- Management is responsible for ensuring all employees understand/comply with these safety requirements.
- This manual must be reviewed periodically and made available to all applicable staff.

## **Operating Area Restrictions**

- Entry into the wash tunnel or equipment zone while machinery is energized or moving is strictly prohibited.
- No person may enter any operational area unless all motion and power sources have been fully disabled.

## **Personal Safety & Attire**

- Secure all clothing and remove jewelry before working near equipment.
- Never allow hands, limbs, tools, hoses, ladders, or other objects near rotating or moving components.
- Failure to maintain clearance from moving parts may result in entanglement or fatal injury.

## **Maintenance & Service Protocol**

- Repairs, inspections, and preventative maintenance may only be performed by designated personnel.
- At least two qualified individuals must be present during any service activity.
- Never perform service work while equipment is energized or in motion.

## **Energy Isolation (Lockout Procedures)**

- All power sources must be fully isolated prior to servicing equipment.
- Electrical disconnects must be lockable and secured in the OFF position.
- Only the individual who applied the lockout device is permitted to remove it and restore power.

### **Elevated Work**

- When accessing equipment above shoulder height, only approved non-conductive ladders.
- Never climb on equipment, framing, or structural components not designed for access.

### **Pressurized Components**

- Hoses, fittings, valves, and lines carrying air, water, or hydraulic pressure must never be adjusted or disconnected while pressurized.
- Relieve all stored energy before performing any work.

### **Electrical Safety**

- Electrical installation, troubleshooting, and repairs must be completed exclusively by licensed electrical professionals.
- Unauthorized electrical work is strictly prohibited.

### **Emergency Shutdown Systems**

- Emergency stop devices must be clearly identified and accessible.
- All personnel must be trained on their locations and use.
- After an emergency stop:
  - Clear all personnel and objects from the equipment area
  - Inspect for unsafe conditions
  - Restart only after confirming safe operation and proper warning signals

### **Equipment Condition & Safeguards**

- Never operate equipment with missing, damaged, or improperly installed guards or covers.
- Do not operate equipment showing signs of abnormal operation, damage, or malfunction.

### **Final Safety Statement**

- Improper use, unauthorized modification, or failure to follow these safety requirements can result in severe injury, death, or property damage.
- American Car Wash Solutions is not responsible for incidents resulting from non-compliance with these instructions.

# **FINAL SAFETY STATEMENT**

***IMPROPER USE, UNAUTHORIZED  
MODIFICATION, OR FAILURE TO FOLLOW  
THESE SAFETY REQUIREMENTS CAN  
RESULT IN SEVERE INJURY, DEATH, OR  
PROPERTY DAMAGE.***

***AMERICAN CAR WASH SOLUTIONS IS NOT  
RESPONSIBLE FOR INCIDENTS RESULTING  
FROM NON-COMPLIANCE WITH THESE  
INSTRUCTIONS.***

## **American Car Wash Solutions – Warranty & Claims Guide**

### **1. Warranty Summary**

American Car Wash Solutions (“ACWS”) warrants their equipment to be free from defects in materials and workmanship for a period of one (1) year from the date of purchase or installation (as determined by distributor terms). This limited warranty applies only to products used under normal operating conditions.

### **2. What Is Covered**

Under this warranty, ACWS will, at its option:

- Repair or replace defective components
- Provide replacement parts of equal or comparable quality

Coverage applies only to defects in materials or workmanship and only when the product has been properly installed, maintained, and used in accordance with ACWS instructions.

### **3. What Is Not Covered**

This warranty does not cover:

- Normal wear and tear (brush wear, foam degradation, consumable materials)
- Damage from misuse, abuse, negligence, alteration, accident, or improper installation
- Damage from chemicals or environmental exposure
- Labor, freight, removal, or re-installation costs unless specified
- Consequential or incidental damages

#### **4. Warranty Claim Instructions**

To initiate a warranty claim, follow these steps to ensure quick review and processing:

##### **Step 1: Collect Information**

Before contacting the warranty department, gather:

- Purchase invoice or order number
- Installation date and installation company (if applicable)
- Model and serial numbers (if applicable)
- Detailed description of the issue
- Photos or video clearly showing the defect

##### **Step 2: Contact the Warranty Department**

Call the ACWS Warranty Department at: 914-465-5024

Please have all information ready when calling. The warranty team will advise next steps, which may include documentation submission or an inspection.

##### **Step 3: Submit Supporting Documentation**

After initial contact, you may be asked to email or upload:

- Photos/videos of the issue
- Copies of original purchase documentation
- Installation records

Your prompt submission helps expedite claim review.

#### **Step 4: Review and Resolution**

Once documentation is submitted:

- ACWS will review the claim
- If approved, ACWS will authorize repair or replacement
- Replacement parts may be shipped upon approval

If a claim is denied, you will receive an explanation and any applicable next steps.

#### **5. Important Terms**

- Warranty claims must be initiated within the 1-year warranty period
- Warranty coverage begins on the date of purchase or installation, per distributor agreement
- Warranty is non-transferable unless specifically transferred under ACWS policy
- ACWS reserves the right to determine whether a defect is covered under warranty.